

Hardware Legacy Installation Guide



AdvantageGPS.com | **1-800-553-7031**

Welcome

Experience 4G LTE Evo, the next evolution in GPS tracking. Advantage by Procon Analytics - where automotive telematics meets genuine analytics.

Installation Made Easy

Tools needed for install: screwdrivers, wire strippers and cutters, crimping tool and voltmeter. Plus, you might want to have the following handy: connectors, velcro, and zip ties.

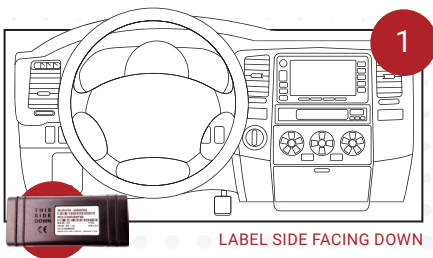
- Make sure there is not metal above the device as it may interfere with the signal.
- Keep it from direct exposure to the sun, heat, rain, moisture, etc., and away from heater vents or hot engine compartments.
- Do not tightly kink or wrap excess cable.

Mounting Evo

[ILLUSTRATIONS 1 & 2]

- Install the Evo device in a concealed location under the dash.
- Hold it in place.
- Mark the location for the velcro.
- Attached velcro to the back of the device and the other to the dash.

Install Device
Label Side
FACING DOWN!



Evo Wiring

[POWER/SERIAL CABLE DIAGRAM]

We've included a detachable wiring harness. Connect everything before plugging harness into the Evo device.

● **Black Wire:**

Ground – Connect the ground wire to the vehicle chassis.

● **Red Wire:**

12 VDC Constant Power – Connect to a constant power source. Voltage should read 12V when the vehicle's ignition line is in the off position.

● **White Wire:**

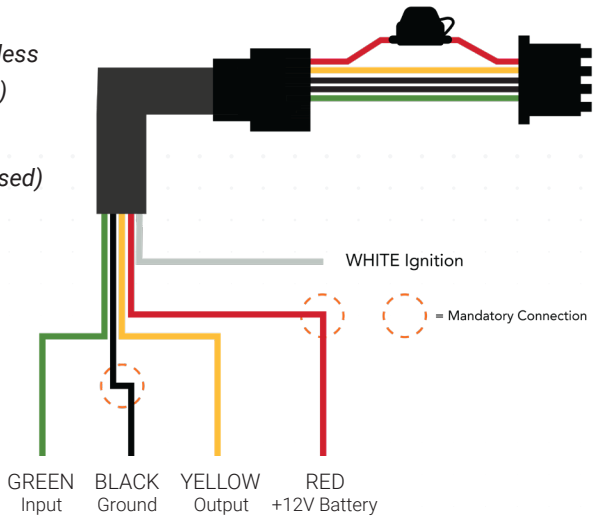
Ignition input (optional unless payment reminder is used)

● **Green Wire:**

Programming Input (not used)

● **Yellow Wire:**

Output (Connects to starter interruptor relay)



Once the wires are attached and Evo is mounted, plug the harness into it and power up.

The LED indicators will show:

- A solid green light indicates a good cellular coverage.




Note: *If the light does not lock on and go solid, you're not getting a good signal. Unit will not track properly.*

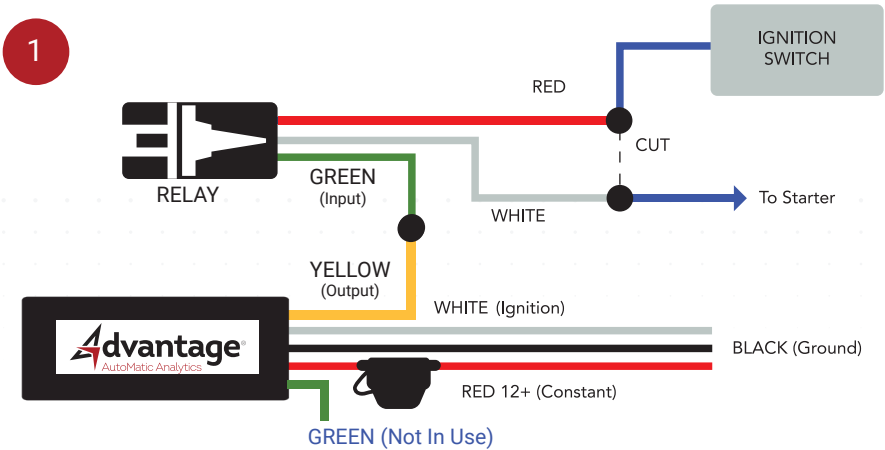
- A solid red light indicates good GPS signal.






ECM Starter Disable




[DIAGRAM 1]


If the starter is controlled by the ECM (Engine Control Module), splice the wire that leads directly from the ECM to the starter.

 **Note:** Do not splice into the wire leading from ignition switch to the ECM.



UNIT WIRE COLOR GUIDE	
 BLACK = Ground	 YELLOW = Output
 RED = Constant	 WHITE = Ignition
 GREEN = Input (not used)	

RELAY WIRE COLOR GUIDE	
 RED = Ignition	
 WHITE = Starter	
 GREEN = Input	

 **Note:** **Yellow wire** connects to **green relay wire**.

Starter Interrupter

[OPTIONAL FEATURE – DIAGRAM 1]

- Locate and cut the starter wire of the vehicle. This wire will only display 12VDC while the vehicle is starting.
- **Connect yellow wire from the harness to the green wire of the starter interrupt relay.**
- Connect red wire from the starter interrupt relay to the ignition switch side of the starter wire.
- Connect white wire of the starter interrupt relay to the starter side of the starter wire.

Payment Reminder

[OPTIONAL FEATURE]

- Locate a switch ignition power wire that reads 12V when the vehicle's ignition is in the ON position and 0 Volts when the vehicle ignition is in the OFF position. The ignition wire retains 12V as the vehicle is starting.
- Connect the white wire from harness to the vehicles ignition wire.
- If the white wire is not connected, the payment reminder feature will activate upon the change of GPS movement, instead of when the vehicle starts.



Note: If the white wire is not connected properly, the payment reminder option will not function as designed.



BEST PRACTICES

Use a digital voltmeter to read 12V in the ON position and 0V in the OFF position. This will ensure that the wire is truly switched at ignition ON/OFF.

LED Troubleshooting

[TECHNICAL DATA]

Technical Data

Operating Voltage	7V - 28V
Power Consumption	2.5 mA (standby), 50 mA (active)
Operating Temperature	-30°C to +75°C
Storage Temperature	-40°C to +85°C
Operation Humidity	20% to 90% (non-condensing)



- Solid Green = Cellular Signal is OK
- ◐ Flashing Green = Searching
- Solid Red = GPS Signal is OK
- ◐ Flashing Red = Searching



If you have questions or would like to have our team of experts help you with your install, please:

Call Us: 1-800-553-7031

Email Us: Support@AdvantageGPS.com

Knowledge Center: AdvantageGPS.com/Knowledge-Center



AdvantageGPS.com | 1-800-553-7031