

# EVO<sup>®</sup> GPS

## Hardware Specifications

Advantage's Evo GPS tracking device has been a mainstay of our business for many years. Evo has delivered proven protection for thousands of automotive lenders nationwide.

### Features and Benefits

- Powerful Automotive Analytics
- Interactive, Drilldown Dashboard
- Internal Backup Battery Included
- Low Power Consumption
- Bundled Service Plans
- Enterprise Carrier Grade Data Security

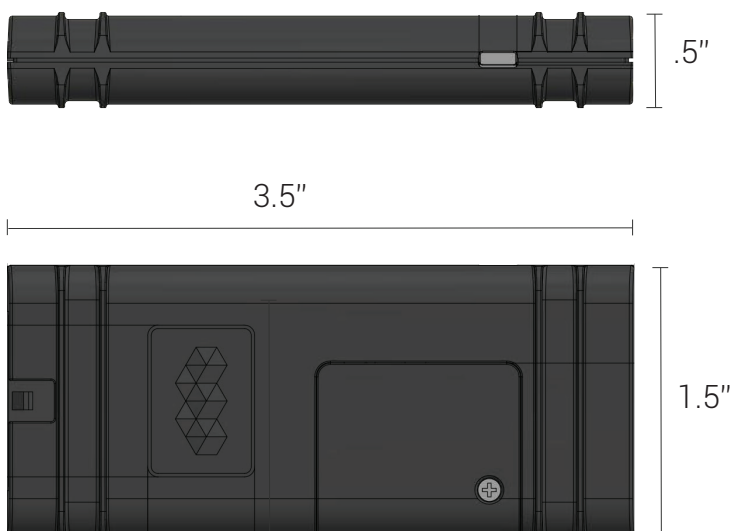


### Intelligent Add-On Features

- |                            |  |
|----------------------------|--|
| • Starter-Interrupt Tool   | • Enables you to remotely disable vehicle              |
| • On-Demand Payment Buzzer | • Includes in-vehicle buzzer to send payment reminders |



# EVO<sup>®</sup> GPS Hardware Specifications



## Cellular Technology

- 4G LTE
- Integrated Hyper Sensitive GPS and Cellular Antenna

## GPS Functionality

- Processor: 56 Channel
- Location Accuracy: Up to 2.5 feet

## Power Profile

- Standby Mode: 2.5 mA
- Deep Sleep Mode: 1 mA
- Lowest power consumption available, ensuring minimal impact on vehicle batteries - (Uses approx. 1/1000th power of a smart phone.)

## Environmental

- Operating Temperature: -22°F to +167°F
- Dust Resistant
- Designed to withstand harsh environments

## Physical Specifications

- Dimensions: 3 1/2" x 1 1/2" x 1/2"

## Certifications

- Fully Certified and Industry Compliant: FCC, PTCRB, RoHS2

