

EVO[®] GPS VIN VERIFY

Hardware Specifications

Retailers, Finance Companies, and Consumers can be assured the vehicle financed is the vehicle on the road and fully protected by Advantage GPS.

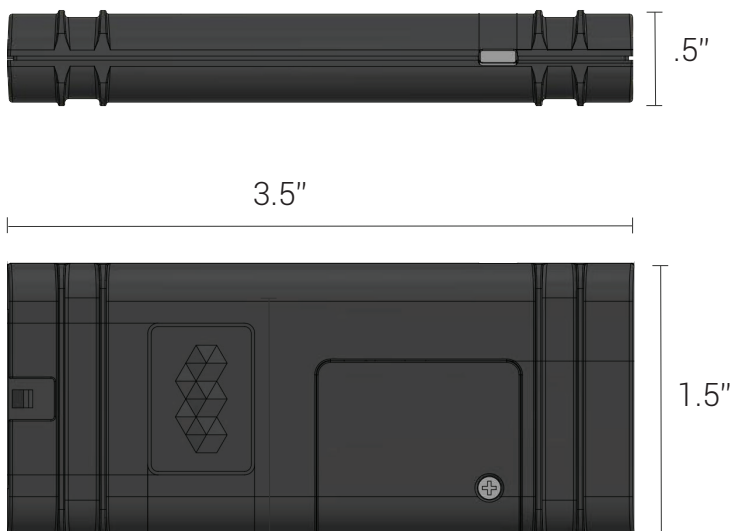


Features and Benefits

- Industry's only onboard VIN authenticator - populates VIN, Make, Model and Year
- Powerful Automotive Analytics
- Internal Backup Battery Included
- Low Power Consumption
- Bundled Service Plans
- Enterprise Carrier Grade Data Security
- Easy Installation
- Ask About Vehicle Health Checks



EVO[®] GPS VIN VERIFY Hardware Specifications



OBDII Harness for Easy Installation

Cellular Technology

- 4G LTE
- Integrated Hyper Sensitive GPS and Cellular Antenna

GPS Functionality

- Processor: 56 Channel
- Location Accuracy: Up to 2.5 feet

Power Profile

- Standby Mode: 2.5 mA
- Deep Sleep Mode: 1 mA
- Lowest power consumption available, ensuring minimal impact on vehicle batteries - (Uses approx. 1/1000th power of a smart phone.)

Environmental

- Operating Temperature: -22°F to +167°F
- Dust Resistant
- Designed to withstand harsh environments

Physical Specifications

- Dimensions: 3 1/2" x 1 1/2" x 1/2"

Cerifications

- Fully Certified and Industry Compliant: FCC, PTCRB, RoHS2

