

# EVO<sup>®</sup> GPS VIN VERIFY

## Hardware Specifications

Retailers, Finance Companies, and Consumers can be assured the vehicle financed is the vehicle on the road and fully protected by Advantage GPS.

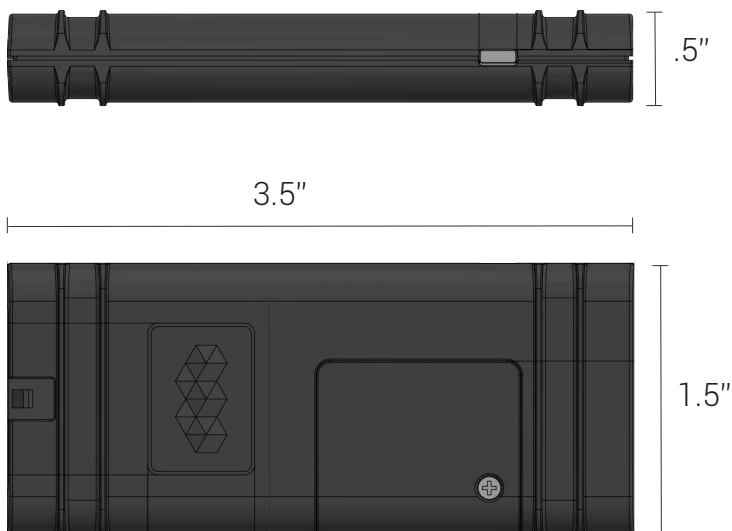


## Features and Benefits

- Industry's only onboard VIN authenticator - populates VIN, Make, Model and Year
- Powerful Automotive Analytics
- Internal Backup Battery Included
- Low Power Consumption
- Bundled Service Plans
- Enterprise Carrier Grade Data Security
- Easy Installation



# EVO<sup>®</sup> GPS VIN VERIFY Hardware Specifications



OBDII Harness for Easy Installation

## Cellular Technology

- 4G LTE
- Integrated Hyper Sensitive GPS and Cellular Antenna

## GPS Functionality

- Processor: 56 Channel
- Location Accuracy: Up to 2.5 feet

## Power Profile

- Standby Mode: 2.5 mA
- Deep Sleep Mode: 1 mA
- Lowest power consumption available, ensuring minimal impact on vehicle batteries - (Uses approx. 1/1000th power of a smart phone.)

## Environmental

- Operating Temperature: -22°F to +167°F
- Dust Resistant
- Designed to withstand harsh environments

## Physical Specifications

- Dimensions: 3 1/2" x 1 1/2" x 1/2"

## Cerifications

- Fully Certified and Industry Compliant: FCC, PTCRB, RoHS2

