

EVO[®] GPS

Hardware Specifications

Advantage's Evo GPS tracking device has been a mainstay of our business for many years. Evo has delivered proven protection for thousands of automotive lenders nationwide.

Features and Benefits

- Powerful Automotive Analytics
- Interactive, Drilldown Dashboard
- Internal Backup Battery Included
- Low Power Consumption
- Bundled Service Plans
- Enterprise Carrier Grade Data Security

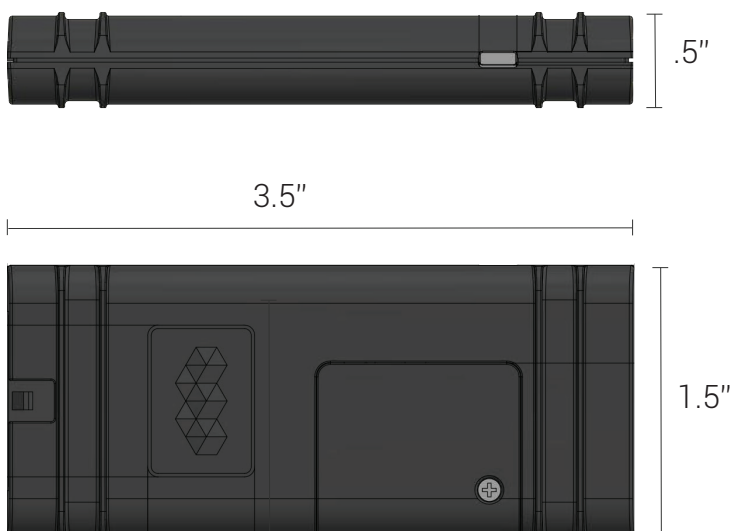


Intelligent Add-On Features

- | | |
|----------------------------|--|
| • Starter-Interrupt Tool | • Enables you to remotely disable vehicle |
| • On-Demand Payment Buzzer | • Includes in-vehicle buzzer to send payment reminders |



EVO[®] GPS Hardware Specifications



Cellular Technology

- 4G LTE
- Integrated Hyper Sensitive GPS and Cellular Antenna

GPS Functionality

- Processor: 56 Channel
- Location Accuracy: Up to 2.5 feet

Power Profile

- Lowest power consumption available, ensuring minimal impact on vehicle batteries - (Uses approx. 1/1000th power of a smart phone.)

Environmental

- Operating Temperature: -22°F to +167°F
- Dust Resistant
- Designed to withstand harsh environments

Physical Specifications

- Dimensions: 3 1/2" x 1 1/2" x 1/2"

Certifications

- Fully Certified and Industry Compliant: FCC, PTCRB, RoHS2

