

EVO[®] UL

Hardware Specifications

The Industry's first real-time, risk-mitigation plan that protects your collateral for the full duration of the contract. Unlimited protection. Purchase once. No subscription or renewal fees.

Features and Benefits

- One-time purchase, no renewals
- No recurring subscription fees
- Unlimited use
- Endless protection
- Powerful real-time automotive analytics
- Interactive, drilldown dashboard
- Internal backup battery included
- Low power consumption
- Enterprise carrier grade data security



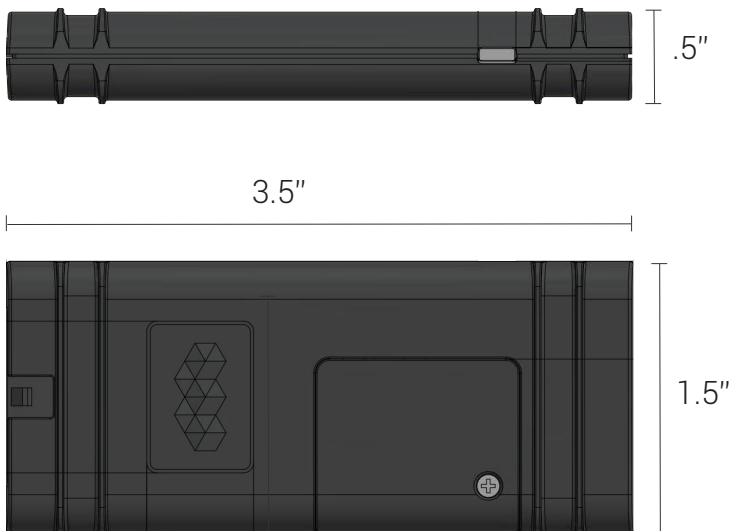
Intelligent Add-On Features

- | | |
|-----------------------------|--|
| • Starter-Interrupt Tool | • Enables you to remotely disable vehicle |
| • In-Vehicle Payment Buzzer | • Includes in-vehicle buzzer to send payment reminders |



*Terms and conditions apply

EVO[®] UL Hardware Specifications



Cellular Technology

- 4G LTE Cat-M Technology - Fully 5G-network compliant
- Integrated Hyper Sensitive GPS and Cellular Antenna

GPS Functionality

- Processor: 56 Channel
- Location Accuracy: Up to 2.5 feet

Power Profile

- Lowest power consumption available, ensuring minimal impact on vehicle batteries - (Uses approx. 1/1000th power of a smart phone.)

Environmental

- Operating Temperature: -22°F to +167°F
- Dust Resistant
- Designed to withstand harsh environments

Physical Specifications

- Dimensions: 3 1/2" x 1 1/2" x 1/2"

Certifications

- Fully Certified and Industry Compliant: FCC, PTCRB, RoHS2

